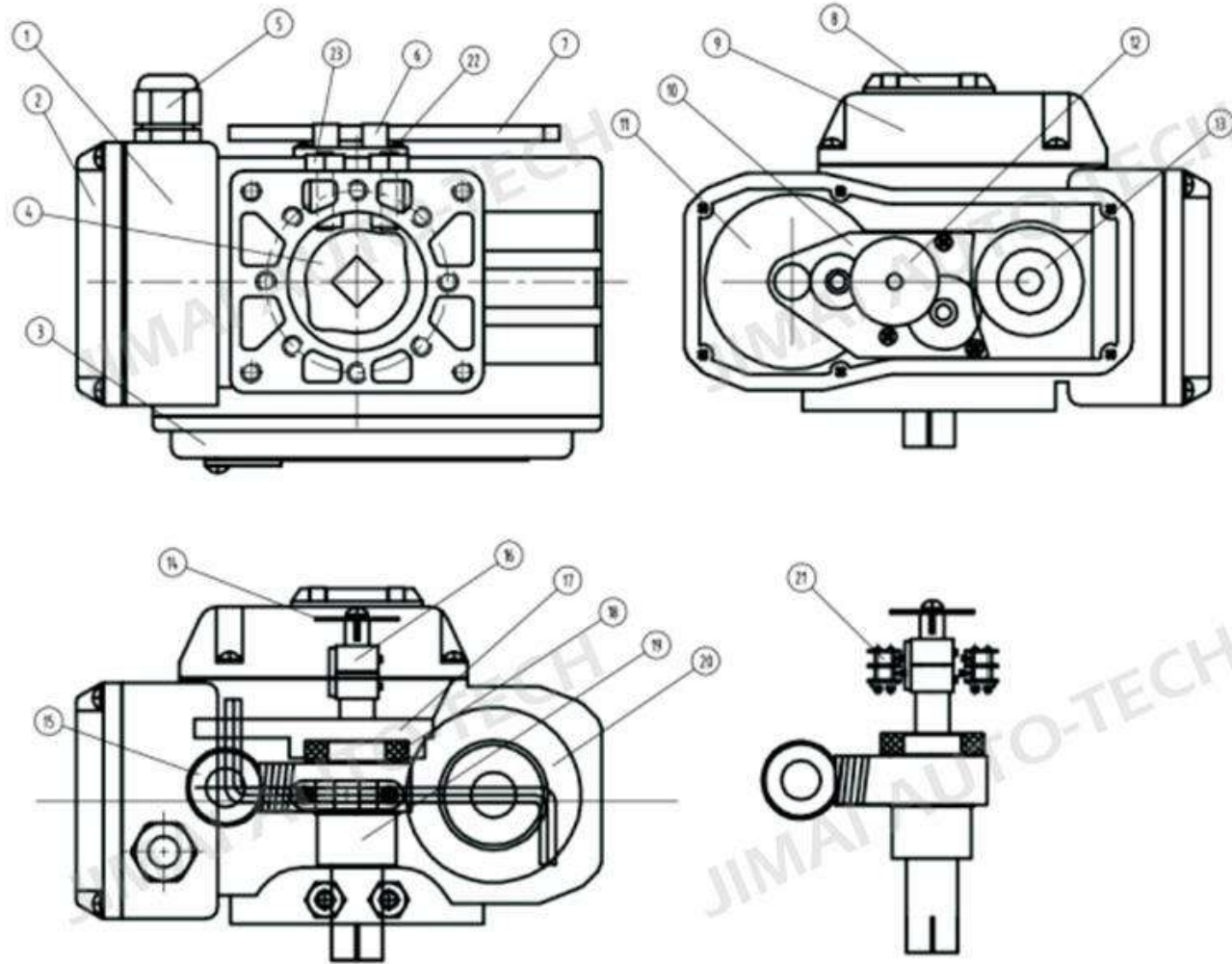




Model	JM 05	JM 10	JM 15	JM 25	JM 50	JM 100	JM 200
Power	AC24V,AC110V,AC220V,AC380V,DC24V,DC110V,DC220V						
Output torque	50N.M	100N.M	150N.M	250N.M	500N.M	1000N.M	2000N.M
Action time	12/25s	15/30s				50/100s	
Motor power	15W	25W	30W	45W	90W	110W	110W
Protection	Motor Overheating protection(120°C)						
Angle of Rotation	0-90°						
Temperature	-10-60°C						
Withstand voltage	1500V						
Starting current	0.25A	0.6A	0.68A	0.76A	1.2A	1.36A	1.36A
Working current	0.25A	0.52A	0.55A	0.70A	1.15A	1.28A	1.28A
Protection grade	Equivalent of IP67 standard						
Limit	Electric: fully open to fully closed limit switch; Manual:mechanical block						
Weight	2.8Kg	4.2Kg	4.5Kg	7.2Kg	7.5Kg	12.5Kg	12.5Kg
Input signal	4-20mA 1-10V 1-5V						
Output signal	4-20mA 1-10V 1-5V						

Actuator Size Selection for Valve

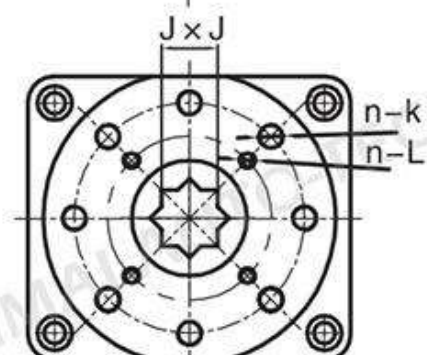
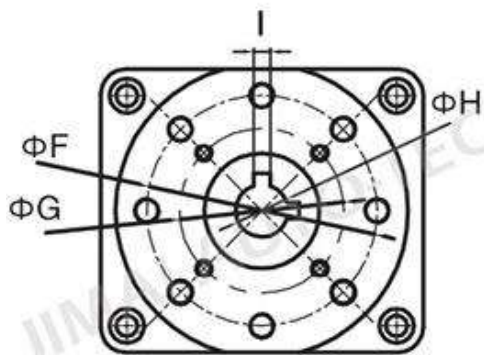
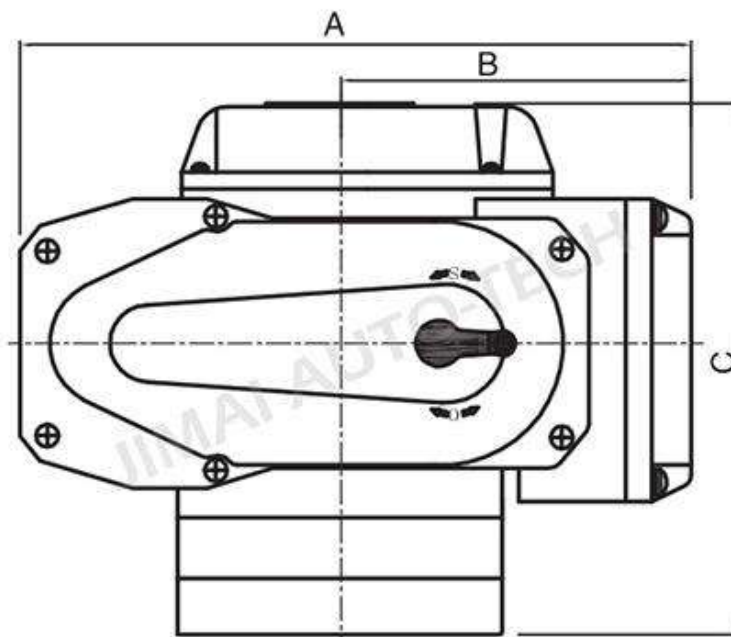
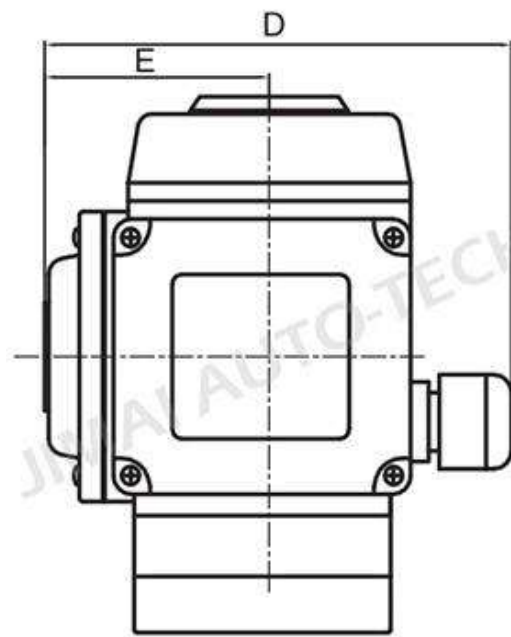
Model	Ball Valve (Hard Seal)	Ball Valve (Soft Seal)	Butterfly Valve (Hard Seal)	Butterfly Valve (Soft Seal)
JM-05	DN15-DN25	DN15-DN40	DN50	DN50-DN65
JM-10	DN32-DN40	DN50-DN65	DN65-DN80	DN80-DN125
JM-15	DN40-DN50	DN65	DN100-DN125	DN125-DN150
JM-25	DN65-DN80	DN80-DN100	DN125-DN150	DN150-DN200
JM-50	DN80-DN100	DN100-DN125	DN200-DN250	DN250-DN300
JM-100	DN125	DN150	DN250-DN300	DN300-DN350
JM-200	DN150-DN200	DN200-DN250	DN350-DN400	DN400-DN500



Material Using

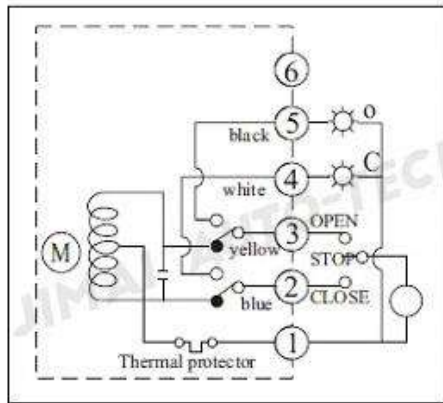
No	Parts Name	Material	Qty	No	Parts Name	Material	Qty
1	Main Body	Aluminum Alloy	1	13	Oil Seal	Rubber	2
2	Wiring Cover	Aluminum Alloy	1	14	Dial Plate	Aluminum Alloy	1
3	Gear Cover	Aluminum Alloy	1	15	Transmission Worm Steam	40CR	1
4	Mechanical Block	Aluminum Alloy	1	16	Limit Cam	Aluminum Alloy	2
5	Waterproof Connector	Plastic	1	17	Worm Gear Cover	Aluminum Alloy	1
6	Wrench Buckle	Plastic	1	18	Shaft	Steel	10
7	Manual Handle	CR12	1	19	Transmission Worm Gear	Aluminum Alloy	1
8	Indicate Window	Aluminum Alloy	1	20	Motor Set	Copper	1
9	Upper Cover	Aluminum Alloy	1	21	SPDT Switches	Plastic	4
10	Gearbox	Plastic	1	22	Nut	SS	2
11	Motor Cover	Aluminum Alloy	1	23	Screw	SS	2
12	Transmission Worm Set	40CR	1				

Outline Dimension

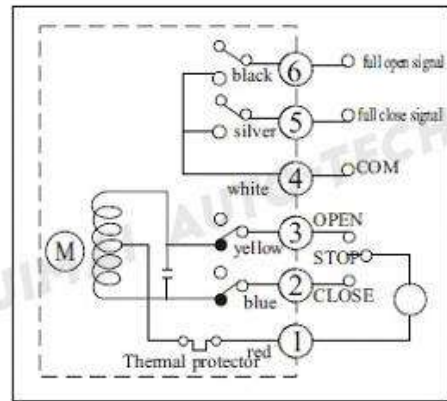


MODEL	A	B	C	D	E	F	G	H	I	J	K	L
JM-05	165	72	152	134	67	Ø 50	Ø36	Ø12.8	3	11X11	4-M6	4-M6
JM-10	204	98.5	159	140	75	Ø 70	Ø50	Ø16	5	14X14	4-M8	4-M6
JM-15	204	98.5	159	140	75	Ø 70	Ø50	Ø19.1	5	17X17	4-M8	4-M6
JM-25	257	119	193	178	90	Ø 102	Ø70	Ø22.3	5	22X22	4-M10	4-M8
JM-50	257	119	193	178	90	Ø 102	Ø70	Ø28.8	5	22X22	4-M10	4-M8
JM-100	280	153	160	172	90	Ø 125	Ø102	Ø31.8	8	27X27	4-M12	4-M10
JM-200	280	153	160	172	90	Ø 140	Ø125	Ø33.4	10	36X36	4-M14	4-M12

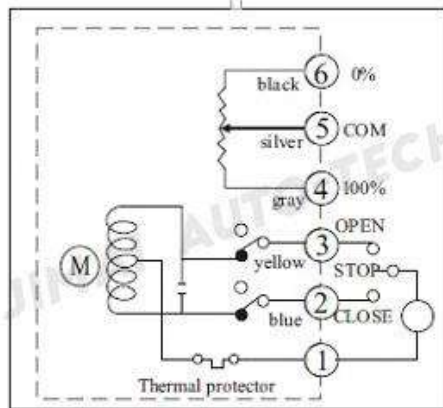
1. On-Off Type



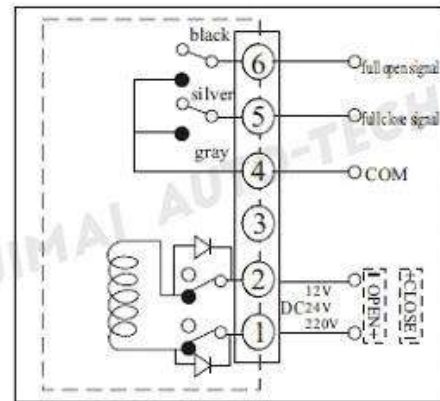
2. Passive Contact Type



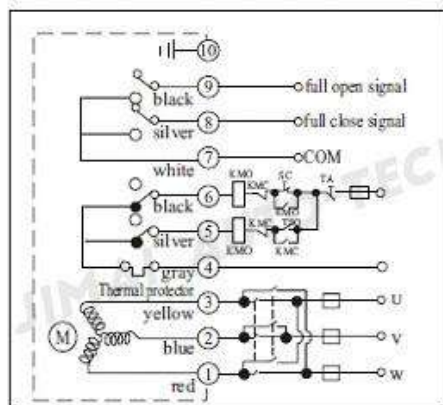
3. Resistance Feedback Type



4. DC Motor With Intermediate Position Switch Type



5. AC 380V Control Circuit Switches



6. With Potentiometer And Additional Switches

